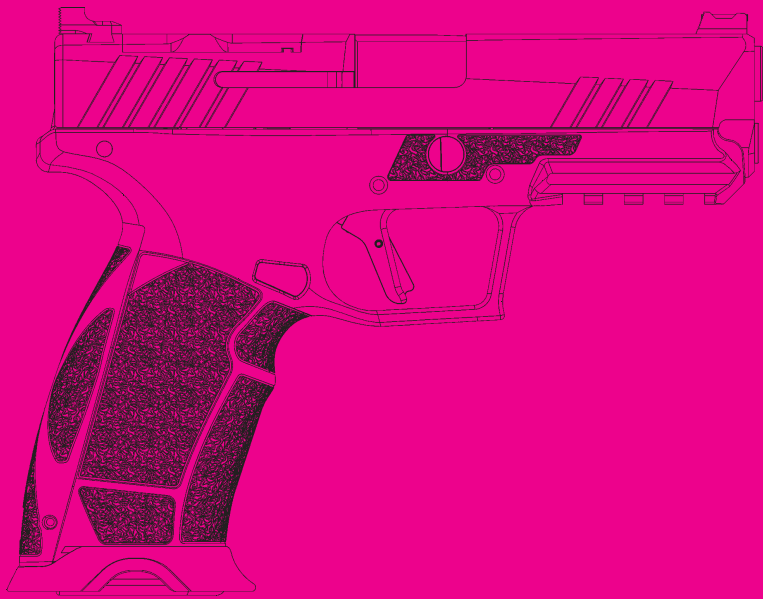


# USER MANUAL

Tisas Pistols



**Tisas**<sup>®</sup>  
1993

**PX-9 GEN3 (9X19 Single Action)**



Quality That's Affordable



**WARNING**

Please read this user manual carefully before using the firearm.

**WARNING**

Do not use this firearm until you fully understand all of the safety instructions and handling procedures.

## INDEX

|   |    |
|---|----|
| GENERAL WARNINGS .....                  | 4  |
| BEFORE USING YOUR FIREARM .....         | 9  |
| MAJOR COMPONENTS .....                  | 10 |
| OVERVIEW OF THE SAFETY MECHANISMS ..... | 11 |
| LOADING .....                           | 13 |
| FIRING .....                            | 14 |
| UNLOADING .....                         | 15 |
| TROUBLESHOOTING .....                   | 16 |
| DISASSEMBLY & ASSEMBLY .....            | 19 |
| CLEANING AND MAINTENANCE .....          | 23 |
| TECHNICAL SPECIFICATIONS .....          | 25 |
| EXPLODED DIAGRAM .....                  | 26 |
| PARTS LIST .....                        | 27 |
| EXPLODED DIAGRAM (TH) .....             | 28 |
| PARTS LIST (TH) .....                   | 29 |
| IMPORTER INFORMATION .....              | 30 |

---

## 1. GENERAL WARNINGS

- Read this user manual carefully before using the product.
- Do not use any firearm before reading the safety rules and maintenance instructions.
- Obey the laws in your country referring to firearms purchasing, carrying and use.

All firearms are dangerous. Tisas is not responsible for any damage that results from the improper use of your firearm.

## 2. ESSENTIAL FIREARM SAFETY GUIDELINES

These firearm safety guidelines have been prepared by Tisas, based upon currently available information. They are provided to you as a courtesy and in the interest of furthering safety. These guidelines are not comprehensive, nor do they modify or replace rules, recommendations, standards, or regulations made by legal authorities or manufacturers.

As a responsible firearms manufacturer, Tisas believes that no issue is more important than firearm safety. We urge you to learn and practice the following guidelines and to make them your habit when handling firearms. This will help ensure safe handling of your firearm(s) and help prevent accidents. We also encourage you to complete an approved firearms safety-training course.



## THE 3 CARDINAL RULES OF FIREARM SAFETY

### 1. Always handle a firearm as if it is loaded

Even if you determine that a firearm is unloaded, always handle it like it is loaded. When you handle a firearm, the first thing you should do (with the firearm pointed in a safe direction), is open the action to identify whether the firearm is loaded. If you do not know how to open the action, do not handle the firearm. And remember, removing a magazine alone does not make a firearm unloaded, as there may be a round in the chamber.

### 2. Always keep your finger out of the trigger guard and off the trigger until you are ready to shoot your target

Do not place your finger inside the trigger guard until you have placed a firearm's sights on your target and have decided to fire. The best place to rest your finger in the meantime is above the trigger guard along the frame. By waiting until you are aimed at your target, if the trigger were to be pressed, you will guarantee that a shot will travel safely in the direction of your intended target.

### 3. Always keep a firearm pointed in a safe direction, in front of and behind your target

It is important to identify your actual target, but it is just as important to know what lies in front of and behind your target. A safe direction is any direction where an unintentional discharge or miss will not cause injury or damage. In determining a safe direction, remember that

a round can ricochet off an object like a floor, water or wall, or go through walls, floors, ceilings, and windows. Whether in a house or outdoors, the safest direction is the muzzle angled down toward the floor. And never point at or cross the muzzle of a firearm (loaded or unloaded) at any part of any person's body-the laser rule!

## **ADDITIONAL FIREARMS AND AMMUNITION RULES**

### **ALWAYS KEEP CHILDREN AND OTHERS SAFE BY STORING FIREARMS SECURE AND AWAY FROM UNAUTHORIZED PERSONS**

You should always store firearms and ammunition out of the sight and reach of children and anyone else who is not an intended user or not physically or mentally capable of handling and using them properly and safely. Store firearms in a safe storage place - ideally, one you can lock.

### **CAREFULLY READ THE ENTIRE INSTRUCTION MANUAL THAT COMES WITH YOUR FIREARM**

You should only use a firearm if you fully understand how to safely operate it. All firearms come with an instruction manual created by the manufacturer. If the firearm does not come with an instruction manual, contact the manufacturer directly and request one.

**ALWAYS DETERMINE THAT THE FIREARM IS SAFE TO OPERATE**

Before shooting, make sure the firearm is in good working order, that the barrel is clear, and that the firearm is safe to operate. This is especially important when handling a firearm that has been stored or unused for a long period of time.

**ALWAYS USE CORRECT AMMUNITION**

Never use improper or incorrect ammunition. Only use ammunition that is recommended by the firearm manufacturer and caliber of your firearm. Most firearms have the caliber engraved or stamped on the barrel. Your ammunition should have the exact same caliber. If you use the incorrect ammunition, it can destroy a firearm and cause serious injury. Additionally, it voids your warranty.

**WHEN CLEANING A FIREARM, MAKE SURE IT IS NOT LOADED**

One of the most common statements following an accidental discharge is: "I was cleaning the firearm and it went off!" When you clean a firearm, make sure it is not loaded. You should keep the ammunition in another room until you have finished cleaning the firearm and are ready to reload.

**NEVER USE FIREARMS WHILE USING DRUGS OR ALCOHOL**

When you handle firearms, your judgment must NOT be impaired. You should NEVER handle firearms while under the influence of alcohol, illegal drugs or while using legal prescription medication that can make you tired or affect your senses, reflexes, or judgment.

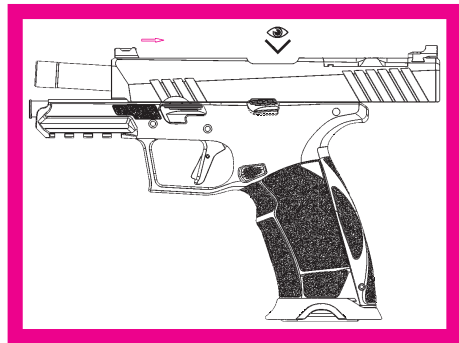
**USE EYE AND EAR PROTECTION**

Always wear proper eye and ear protection while shooting firearms; ear protection will help prevent hearing loss from the extreme decibel level of gunfire, and eye protection will help prevent ejection gases, ricocheted objects, casings, or any foreign objects from damaging your eyes. Be smart, be safe.

### 3. BEFORE USING YOUR PISTOL

Your TISAS firearm is semi-automatic, and single action.

Your TISAS firearm can fire even without a magazine inserted. For that reason, ejecting the magazine or inserting an empty magazine does not make your firearm safe. Rather, to ensure your firearm is safe, you must eject the magazine, empty the chamber, and then visually inspect the chamber to ensure no cartridge or other obstruction is present.

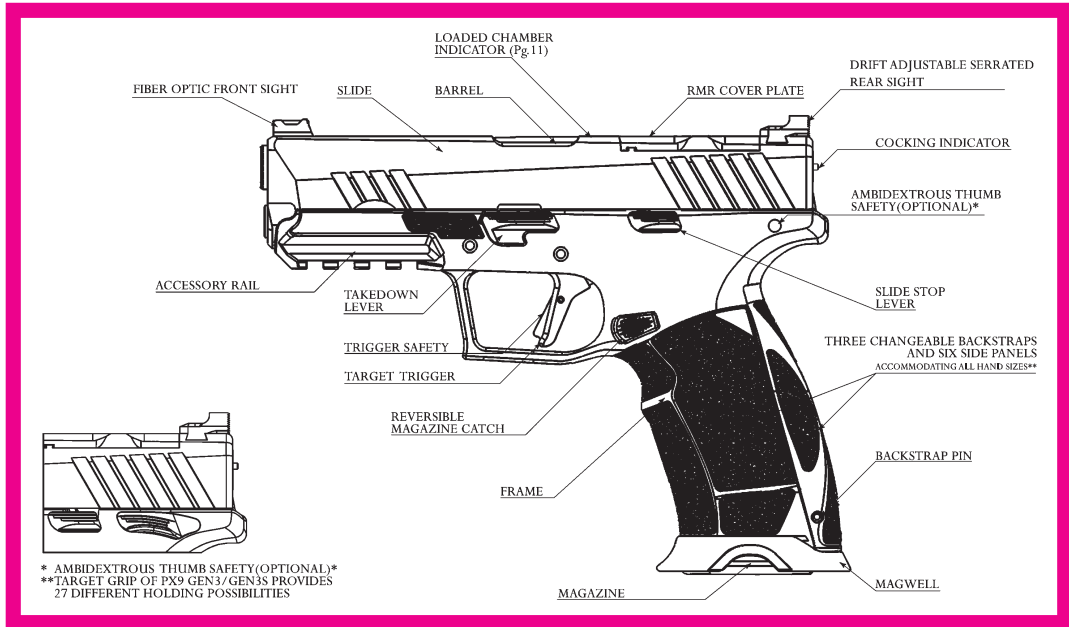


Possess, carry and use your firearm in accordance with all relevant local, state, and federal laws. If you purchased this firearm secondhand, have it checked by a qualified armorer or gunsmith to ensure it is safe to operate.



**ATTENTION: Keep your firearm in a safe place where children cannot access it. Always store your firearm unloaded and store the key to the lock separately from the ammunition.**

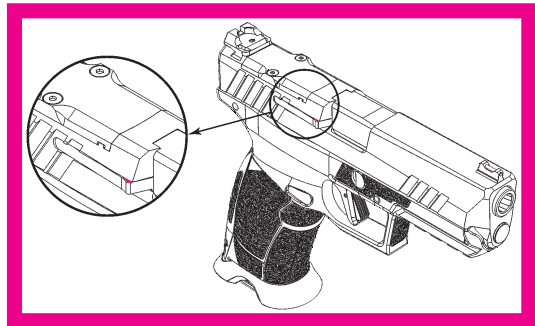
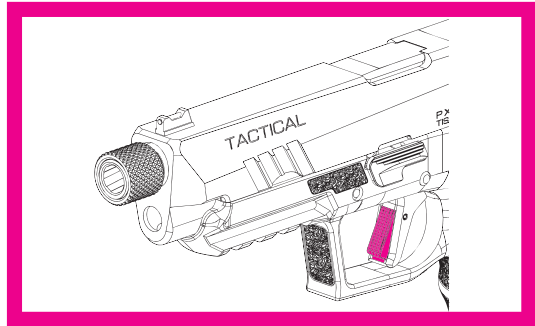
### 3. MAJOR COMPONENTS



#### 4. OVERVIEW OF THE SAFETY MECHANISMS

The frame mounted trigger safety also helps prevent accidental discharge if the PX-9 is struck or dropped by blocking the rearward movement of the trigger assembly thereby immobilizing the trigger bar, unless the entire trigger is pulled back to the rear. With the trigger bar unable to press downward on the sear release catch, the catch remains upright and holds the cocked firing pin assembly in place.

Your TISAS firearm has a loaded chamber indicator. The indicator allows you to observe whether a cartridge is in the chamber or not. When a cartridge is in the chamber, the indicator moves out. It also allows you to check it manually while firing at night.



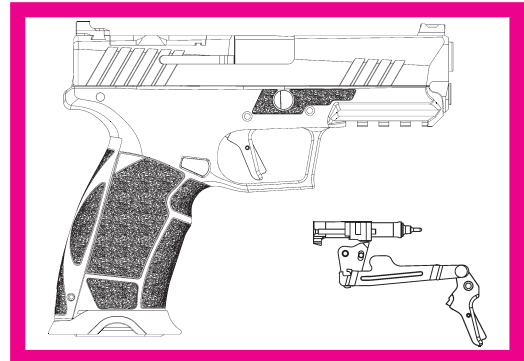
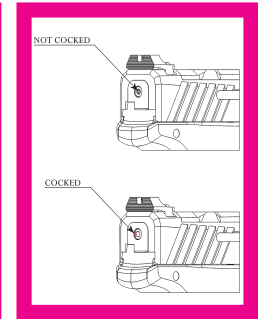
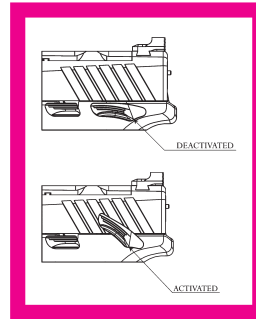
Your TISAS ZIGANA PX-9 GEN3 firearm is equipped with a thumb safety (optional) which can be operated by right and left handed users (ambidextrous). The thumb safety is activated by pressing the lever upward. When it is activated, the firing mechanism is blocked and the firearm does not fire. The thumb safety can be activated if the firearm is cocked or not cocked.

Your TISAS firearm is equipped with firing pin block. The firing pin block prevents the firing pin from moving forward unless the trigger is depressed.

Your TISAS firearm has a cocking indicator in the rear of the slide. When the firearm is cocked, the pin protrudes out of the rear of the slide.



**ATTENTION: The cocking indicator does not always mean that the firearm is loaded. However, when the pin is out, treat as if it is loaded.**





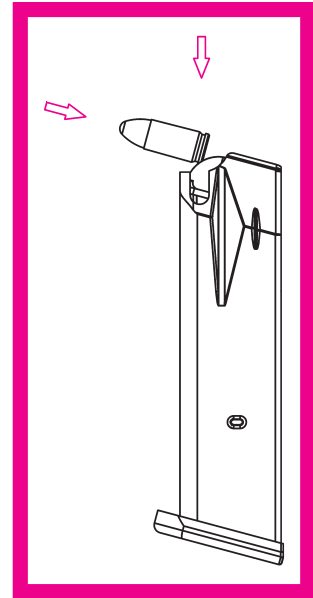
## 5. LOADING

After making sure that your firearm is clean, and that the ammunition is clean, dry and of the correct caliber and type, hold the magazine with one hand and insert ammunition cartridges into the magazine with the other hand until the magazine is fully loaded.

Insert the magazine into the firearm, then retract the slide and release it. At this point, the chamber is loaded and your firearm is ready to fire.

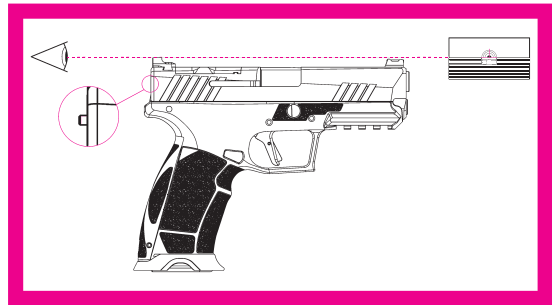


**IMPORTANT:** Always keep your finger off the trigger while loading your firearm, and always point the barrel in a safe direction.



## 6. FIRING

- Grip your firearm firmly.
- Point the firearm at your intended target and assume a proper shooting stance.
- Aim the firearm precisely at your intended point of impact within the larger target.
- When you are ready to fire, place your finger on the trigger and lightly squeeze the trigger. The firearm will fire one cartridge, and then ready itself to fire a subsequent cartridge.
- Squeeze the trigger again to fire this subsequent cartridge, and repeat this procedure until you wish to stop firing or until you run out of ammunition, at which point the slide will lock in its retracted position.



**IMPORTANT:** If you are untrained or inexperienced, and have a misfire, a malfunction, or in the event the firearm stops firing before the magazine is empty, unload the firearm and utilize the assistance of a qualified firearms instructor before attempting to operate your Tisas firearm.

## 7. UNLOADING

When the last cartridge in the magazine is fired, the slide locks in its retracted position. To unload from this point:

- Point the barrel in a safe direction.
- Eject the magazine by pressing the magazine catch.
- Visually inspect the chamber to confirm that it is empty.
- Pull the slide to the rear and slowly release the slide to its forward position.

If you wish to unload before the magazine has been emptied, when the slide is in a forward position:

- Point the barrel in a safe direction and keep your finger off the trigger.
- Eject the magazine by pressing the magazine catch.
- Pull the slide to the rear and visually inspect the chamber to confirm that it is empty.
- Slowly release the slide to its forward position



**ATTENTION: Never touch the trigger when loading or unloading the firearm.**

## 8. TROUBLESHOOTING

### INITIAL TROUBLESHOOTING PROCEDURE



**ATTENTION!! While troubleshooting malfunctions of your pistol, always keep your finger off the trigger and your pistol pointed in a safe direction. A mistake can harm you or others.**

Firearms work reliably if properly maintained. If there is a malfunction during firing, here's what to do:

#### **Pay Attention To:**

- Difficulty in loading or,
- Slide does not lock completely or,
- Ammunition doesn't extract when slide is retracted or,
- There are unburned grains of propellant powder in mechanism or,
- Abnormal shot report and/or recoil that feels weak or not normal.

**Follow the procedures below:**

1. Keep your pistol pointed in a safe direction with your finger off the trigger. Hold this position minimum 30 seconds.
2. Remove the magazine, lock the slide back to the rear.
3. Inspect the chamber and barrel for no rounds.  
Do not look from muzzle end, only chamber.
4. Move the slide backward and forward to check if there is no any jam.
5. Clean your pistol as stated in the cleaning procedure if needed.
6. Inspect malfunctioning of ammunition. If the primer is not indented, take your pistol to a qualified gunsmith to get it corrected before further use.

**WARNING:**

**IF A BULLET IS IN THE BARREL, NEVER ATTEMPT TO SHOOT IT OUT BY USING ANOTHER ROUND. THIS CAN GENERATE HIGH PRESSURE, DAMAGE THE PISTOL AND CAUSE SERIOUS INJURY.**

| <b>MALFUNCTION</b>   | <b>POSSIBLE CAUSE</b>   | <b>REMEDY</b>   |
|--|---|---|
| Despite rounds in the magazine, no round is fed into the chamber | Magazine is not fully inserted, dirty, malfunctioning or damaged.   | Insert magazine properly or replace if damaged.                   |
| Slide does not lock easily                                       | Dirt of ammunition and slide rails, over lubrication of the pistol. | Clean and slightly lubricate pistol and/or replace the ammunition |
| Ammunition stuck in chamber or jammed at ejection port           | Insufficient recoil due to dirt                                     | Clean and lubricate the pistol                                    |
|  | Light hold  | Solid grip, rigid hold  |
|  | Underpowered  | Change ammunition   |
| No sign of round shot while hammer dropping                      | Firing pin obstructed   | Inspect, clean and lunricate the pistol                           |
|  | Defective ammunition  | Manually cycle in next round                                      |

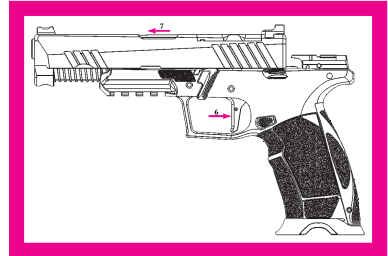
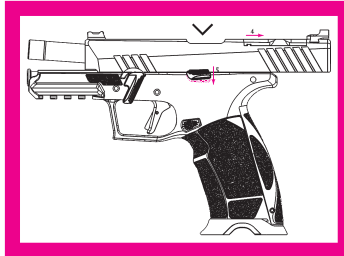
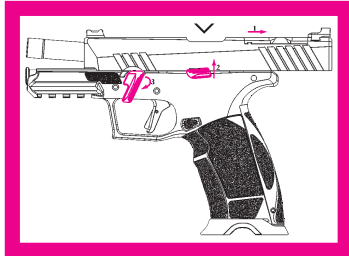
**IMPORTANT: Do not use any oil other than gun oil. Other oils deform parts of your gun and make your gun fail.**

**IMPORTANT: These malfunctions occur in case the gun is not maintained periodically or is fired with faulty ammunition. If your problem contiues after suggestions above do not force your gun and bring it to a qualified gunsmith.**

## 9. DISASSEMBLY and ASSEMBLY

### Disassembly

- Point the barrel in a safe direction and remove the magazine.
- Pull the slide to the rear and visually inspect the chamber to confirm that it is empty.
- Slightly push the slide backwards and rotate the slide stop up.
- Rotate the disassembly lever clockwise.
- Firmly grip the slide, pull it slightly to the rear and allow it to slowly move forward.



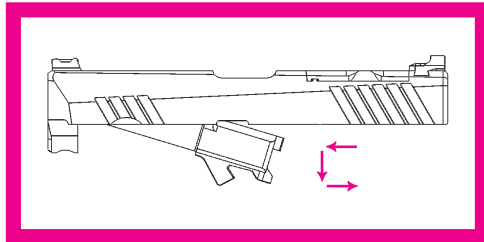
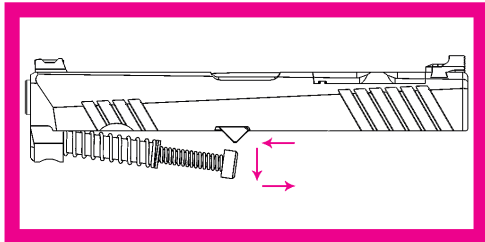
- Pull and release the trigger.
- Move the slide forward and remove it.



**NOTE: Keep your hand on recoil spring as it is under pressure. If you lose your grip, the spring may eject and could lead to injury.**

## Assembly

Follow the steps for disassembly in reverse order.



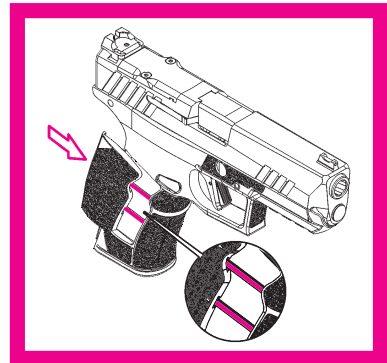
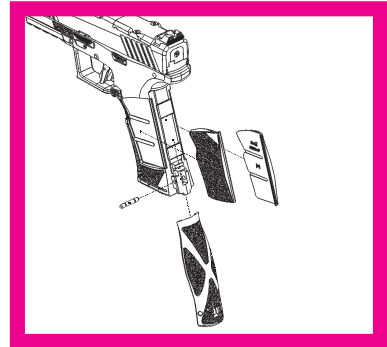


## Installation of the back Backstrap and Grip Panels

1. Using a  $\varnothing 2.4\text{mm}$  pin punch, remove the pin (disassembly punch) holding the backstrap in position. Choose the combination of backstrap and grip panels that provide the panels the most comfortable fit for the operator.
2. Install the two grooves on the inside of each grip panel onto the corresponding tongues located on the outside of the frame and push the panels forward until they seat flush into the frame.
3. Seat the backstrap on to the back of the frame and push upwards until the mounting surface for the disassembly punch on the backstrap aligns with the mounting surface for the disassembly punch on the frame.
4. Drift the disassembly punch into position and capture the backstrap to the frame using the pin punch.

## Assembly

Follow the steps for disassembly in reverse order.

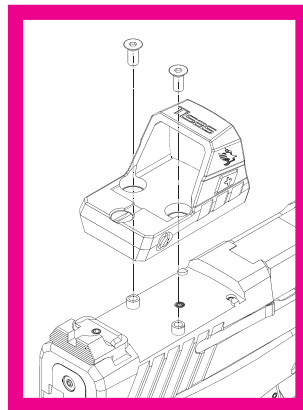
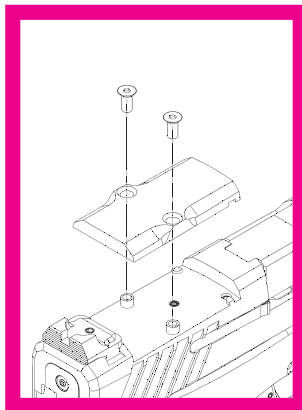


## Assemble The Red Dot Sight

Required auxiliary materials:

Torque wrench 2 - 10 Nm or screw bit 2 mm.

1. Adjust torque wrench.
2. Loosen screws and remove.
3. Remove cover plate.
4. Insert reddot in slide.
5. Insert screws in the red dot sight.
6. Tighten screws until the torque is reached.



## Assembly

Follow the steps for disassembly in reverse order.

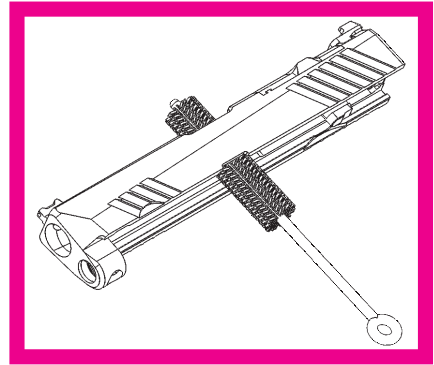
## 10. CLEANING AND MAINTENANCE

### Materials needed for cleaning:

- Cleaning oil
- Gun oil
- Cleaning cloth
- Brush
- Ramrod



**WARNING:** Use protective goggles and glove during cleaning, never use solvent.



- Remove the magazine.
- Extract/eject any chambered round and confirm that the chamber is clear.
- Disassemble the firearm.
- Wipe dirty surfaces, parts, slide, channels and inside the barrel with cleaning oil using brush.
- Do not use brush from both ends of the barrel, clean from the chamber end only. It is a best practice to not allow the brush to abrade the crown of the muzzle on any gun.
- Solvent is to only be used in the barrel and should never come into contact with the frame. Remove all solvent before reassembly.

- Wipe down all surfaces to remove dirt and cleaning oil
- Lightly lubricate all external and internal parts with gun oil.
- Dry outer surfaces of the firearm with a clean cloth.
- Remove any excess lubricant from the internal operating parts of the firearm.
- Reassemble the firearm.
- Retract and release the slide and operate the safety mechanism to ensure proper functioning.

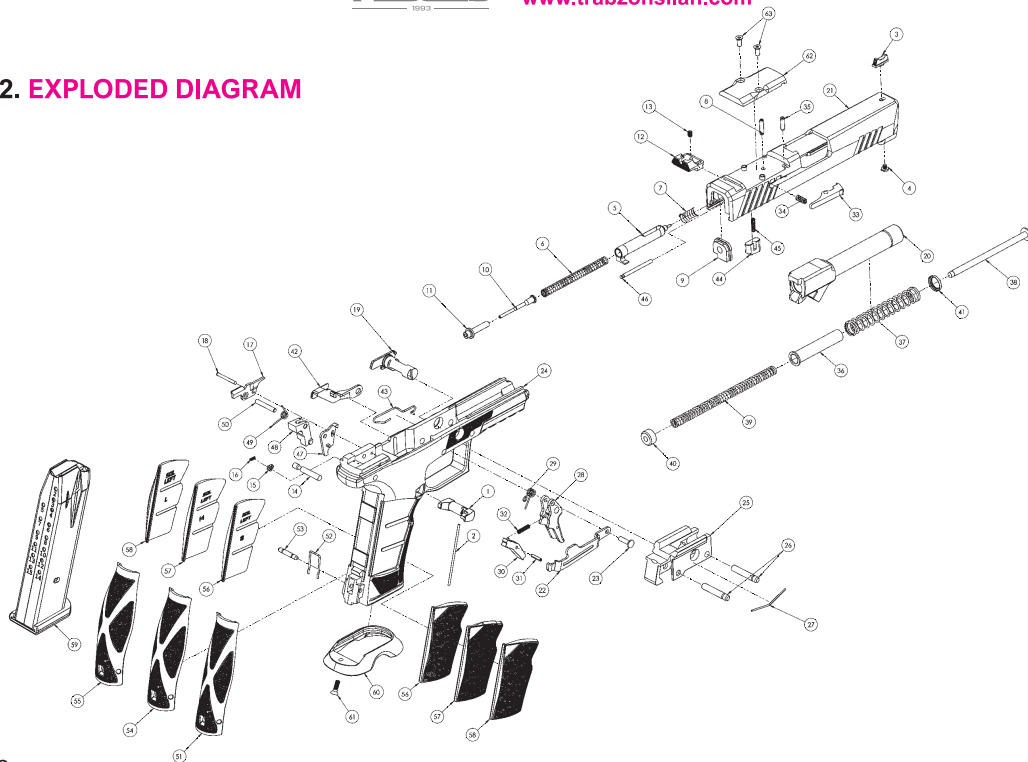


**WARNING: The product will not be covered under warranty if improper or non - standard cleaning and gun oil is used.**

## 11. TECHNICAL SPECIFICATIONS

|                   |  |
|-------------------|--|
| Caliber           | 9x19 mm  |
| Magazine Capacity | 18 or 20   |
| Barrel Length     | DUTY= 104.6 mm, DUTY TH= 119.1 mm, TACTICAL TH= 129.7 mm   |
| Length            | DUTY= 188.9 mm, DUTY TH= 202.1 mm, TACTICAL TH= 212.7 mm   |
| Height            | 147.5 mm   |
| Width             | 34 mm  |
| Weight            | DUTY= 793.7 g, DUTY TH= 810 g, TACTICAL TH= 850 g  |
| Action Type       | SA   |
| Firing System     | Semi - Auto Striker  |
| Safety Systems    | Firing Pin Block<br>Ambidextrous Thumb Safety  |
| Features          | Reversible Magazine Catch Accessory Rail<br>Three changeable backstraps<br>and six side panels<br>(ACCOMMODATING ALL HAND SIZES) |
| Optional Item     | IWB Holster<br>Magazine Loader   |

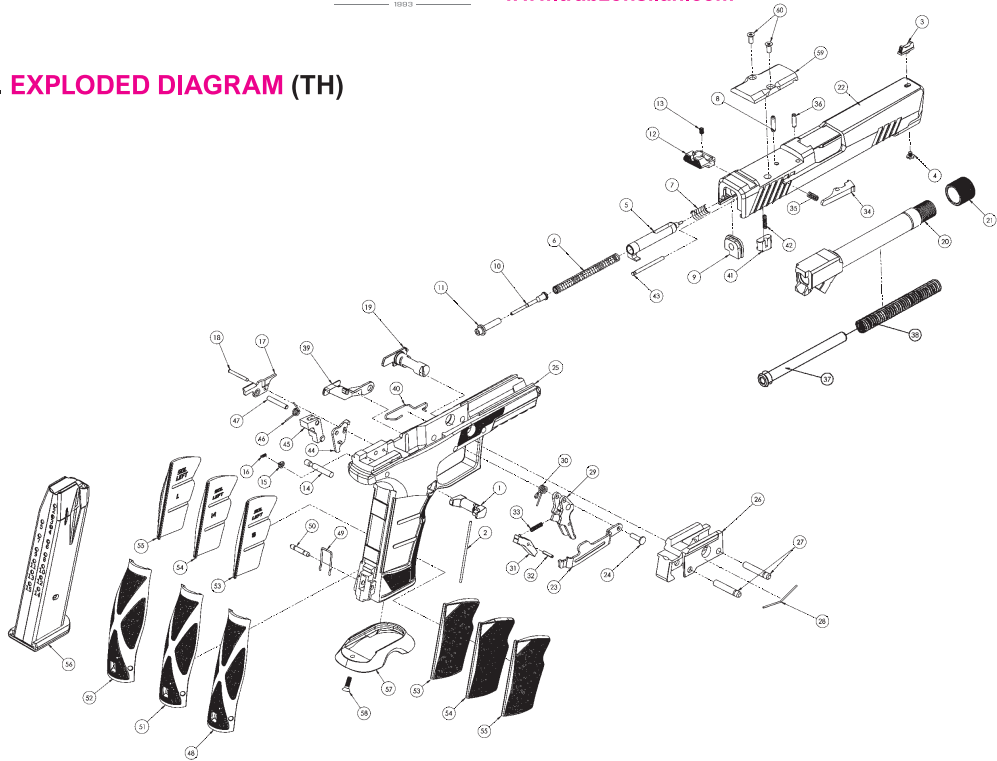
## 12. EXPLODED DIAGRAM



## ZIGANA PX-9 (GEN3) PART LIST

| NO. | PARTS DESCRIPTION                      | CODE       | NO. | PARTS DESCRIPTION                              | CODE       |
|-----|--|------------|-----|--|------------|
| 1   | MAGAZINE CATCH                         | PX9-1      | 35  | EXTRACTOR PIN                                  | PX9-47.03  |
| 2   | MAGAZINE CATCH SPRING                  | PX9-1.01   | 36  | RECOIL SPRING GUIDE CONNECTOR                  | PX9-54     |
| 3   | FRONT SIGHT (FIBER OPTIC)              | PX9-3      | 37  | RECOIL SPRING GUIDE CONNECTOR SPRING           | PX9-54.01  |
| 4   | FRONT SIGHT SCREW                      | PX9-3.01   | 38  | RECOIL SPRING GUIDE                            | PX9-55     |
| 5   | STRIKER                                | PX9-11     | 39  | RECOIL SPRING                                  | PX9-55.01  |
| 6   | STRIKER SPRING                         | PX9-11.01  | 40  | RECOIL SPRING GUIDE BUSHING                    | PX9-55.02  |
| 7   | STRIKER DAMPENING SPRING               | PX9-11.02  | 41  | RECOIL SPRING BUSHING                          | PX9-55.03  |
| 8   | STRIKER RETAINER PIN                   | PX9-47.03  | 42  | SLIDE STOP                                     | PX9-56     |
| 9   | STRIKER LOCKING PLATE                  | PX9-13     | 43  | SLIDE STOP SPRING                              | PX9-56.01  |
| 10  | STRIKER STATUS INDICATOR               | PX9-15     | 44  | STRIKER SAFETY BLOCK                           | PX9-67     |
| 11  | STRIKER SPRING GUIDE                   | PX9-15.01  | 45  | STRIKER SAFETY BLOCK SPRING                    | PX9-67.01  |
| 12  | DRIFT ADJUSTABLE REAR SIGHT            | PX9-16     | 46  | STRIKER SAFETY BLOCK PIN                       | PX9-67.02  |
| 13  | REAR SIGHT SCREW                       | BRV-16a    | 47  | STRIKER SAFETY LEVER                           | PX9-70     |
| 14  | THUMB SAFETY RELEASE PIN               | PX9-17     | 48  | SEAR   | PX9-71     |
| 15  | SAFETY LOCK PLUNGER, LEFT              | PX9-18a.02 | 49  | SEAR SPRING                                    | PX9-71.01  |
| 16  | SAFETY LOCK PLUNGER SPRING, LEFT       | TK1-18.01  | 50  | SEAR PIN                                       | PX9-71.02  |
| 17  | EJECTOR                                | PX9-24     | 51  | BACKSTRAPS S                                   | PX9-72     |
| 18  | EJECTOR PIN                            | PX9-24.01  | 52  | BACKSTRAPS PIN SPRING                          | PX9-72.02  |
| 19  | TAKE-DOWN LEVER                        | PX9-28     | 53  | BACKSTRAPS PIN                                 | PX9-72.03  |
| 20  | BARREL                                 | PX9-31     | 54  | BACKSTRAPS M                                   | PX9-73     |
| 21  | SLIDE                                  | PX9-32     | 55  | BACKSTRAPS L                                   | PX9-74     |
| 22  | TRIGGER BAR                            | PX9-33     | 56  | GRIP PANEL, LEFT AND RIGHT S                   | PX9-72.01  |
| 23  | TRIGGER BAR PIN                        | PX9-33.01  | 57  | GRIP PANEL, LEFT AND RIGHT M                   | PX9-73.01  |
| 24  | FRAME                                  | PX9-40     | 58  | GRIP PANEL, LEFT AND RIGHT L                   | PX9-74.01  |
| 25  | LOCKING BLOCK                          | PX9-40.01  | 59  | MAGAZINE ASSEMBLY                              | PX9-800    |
| 26  | LOCKING BLOCK PIN AND TRIGGER PIN (x2) | PX9-40.02  | 60  | MAGWELL  | PX9-75     |
| 27  | LOCKING BLOCK PIN SPRING               | PX9-40.03  | 61  | MAGWELL SCREW                                  | PX9-18.01  |
| 28  | TACTICAL TRIGGER                       | PX9-42     | 62  | RMR COVER PLATE                                | PX9-76     |
| 29  | TRIGGER SPRING                         | PX9-42.01  | 63  | RMR COVER PLATE SCREW (x2)                     | PX9-76.01  |
| 30  | TRIGGER SAFETY                         | PX9-42a    |     | SAFETY LOCK, RIGHT (OPTIONAL)                  | PX9-18     |
| 31  | TRIGGER SAFETY PIN                     | PX9-42a.01 |     | SAFETY LOCK PLUNGER, LEFT AND RIGHT (OPTIONAL) | PX9-18.02  |
| 32  | TRIGGER SAFETY SPRING                  | PX9-42a.02 |     | SAFETY LOCK, LEFT (OPTIONAL)                   | PX9-18a    |
| 33  | EXTRACTOR                              | PX9-47     |     | SAFETY LOCK PLATE, LEFT (OPTIONAL)             | PX9-18a.03 |
| 34  | EXTRACTOR SPRING                       | TK1-47.01  |     |  |            |

## 12. EXPLODED DIAGRAM (TH)





## ZIGANA PX-9 (GEN3 TH) PART LIST

| NO. | PARTS DESCRIPTION                      | CODE       | NO. | PARTS DESCRIPTION                              | CODE       |
|-----|--|------------|-----|--|------------|
| 1   | MAGAZINE CATCH                         | PX9-1      | 34  | EXTRACTOR                                      | PX9-47     |
| 2   | MAGAZINE CATCH SPRING                  | PX9-1.01   | 35  | EXTRACTOR SPRING                               | TK1-47.01  |
| 3   | FRONT SIGHT (FIBER OPTIC)              | PX9-3      | 36  | EXTRACTOR PIN                                  | PX9-47.03  |
| 4   | FRONT SIGHT SCREW                      | PX9-3.01   | 37  | RECOIL SPRING GUIDE                            | P9L-55     |
| 5   | STRIKER                                | PX9-11     | 38  | RECOIL SPRING                                  | ZA-55.01   |
| 6   | STRIKER SPRING                         | PX9-11.01  | 39  | SLIDE STOP                                     | PX9-56     |
| 7   | STRIKER DAMPENING SPRING               | PX9-11.02  | 40  | SLIDE STOP SPRING                              | PX9-56.01  |
| 8   | STRIKER RETAINER PIN                   | PX9-47.03  | 41  | STRIKER SAFETY BLOCK                           | PX9-67     |
| 9   | STRIKER LOCKING PLATE                  | PX9-13     | 42  | STRIKER SAFETY BLOCK SPRING                    | PX9-67.01  |
| 10  | STRIKER STATUS INDICATOR               | PX9-15     | 43  | STRIKER SAFETY BLOCK PIN                       | PX9-67.02  |
| 11  | STRIKER SPRING GUIDE                   | PX9-15.01  | 44  | STRIKER SAFETY LEVER                           | PX9-70     |
| 12  | DRIFT ADJUSTABLE REAR SIGHT            | PX9-16     | 45  | SEAR   | PX9-71     |
| 13  | REAR SIGHT SCREW                       | BRV-16a    | 46  | SEAR SPRING                                    | PX9-71.01  |
| 14  | THUMB SAFETY RELEASE PIN               | PX9-17     | 47  | SEAR PIN                                       | PX9-71.02  |
| 15  | SAFETY LOCK PLUNGER, LEFT              | PX9-18a.02 | 48  | BACKSTRAPS S                                   | PX9-72     |
| 16  | SAFETY LOCK PLUNGER SPRING, LEFT       | TK1-18.01  | 49  | BACKSTRAPS PIN SPRING                          | PX9-72.02  |
| 17  | EJECTOR                                | PX9-24     | 50  | BACKSTRAPS PIN                                 | PX9-72.03  |
| 18  | EJECTOR PIN                            | PX9-24.01  | 51  | BACKSTRAPS M                                   | PX9-73     |
| 19  | TAKE-DOWN LEVER                        | PX9-28     | 52  | BACKSTRAPS L                                   | PX9-74     |
| 20  | BARREL                                 | P9L-31     | 53  | GRIP PANEL, LEFT AND RIGHT S                   | PX9-72.01  |
| 21  | THREADED BARREL CAP                    | PX9-31.01  | 54  | GRIP PANEL, LEFT AND RIGHT M                   | PX9-73.01  |
| 22  | SLIDE                                  | P9L-32     | 55  | GRIP PANEL, LEFT AND RIGHT L                   | PX9-74.01  |
| 23  | TRIGGER BAR                            | PX9-33     | 56  | MAGAZINE ASSEMBLY                              | PX9-800    |
| 24  | TRIGGER BAR PIN                        | PX9-33.01  | 57  | MAGWELL  | PX9-75     |
| 25  | FRAME                                  | PX9-40     | 58  | MAGWELL SCREW                                  | PX9-18.01  |
| 26  | LOCKING BLOCK                          | PX9-40.01  | 59  | RMR COVER PLATE                                | PX9-76     |
| 27  | LOCKING BLOCK PIN AND TRIGGER PIN (x2) | PX9-40.02  | 60  | RMR COVER PLATE SCREW (x2)                     | PX9-76.01  |
| 28  | LOCKING BLOCK PIN SPRING               | PX9-40.03  |     | SAFETY LOCK, RIGHT (OPTIONAL)                  | PX9-18     |
| 29  | TACTICAL TRIGGER                       | PX9-42     |     | SAFETY LOCK PLUNGER, LEFT AND RIGHT (OPTIONAL) | PX9-18.02  |
| 30  | TRIGGER SPRING                         | PX9-42.01  |     | SAFETY LOCK, LEFT (OPTIONAL)                   | PX9-18a    |
| 31  | TRIGGER SAFETY                         | PX9-42a    |     | SAFETY LOCK PLATE, LEFT (OPTIONAL)             | PX9-18a.03 |
| 32  | TRIGGER SAFETY PIN                     | PX9-42a.01 |     |  |            |
| 33  | TRIGGER SAFETY SPRING                  | PX9-42a.02 |     |  |            |

## IMPORTER INFORMATION





**Tisas**<sup>®</sup>  
1993

**Factory**

Organize Sanayi Bölgesi 61900 Arsin - TRABZON / TURKEY Tel.: +90 462 711 10 80

**Foreign Trade Department**

De-gol Cad. 11 / 2 Tandoğan - ANKARA / TURKEY Tel.: +90 312 213 75 09